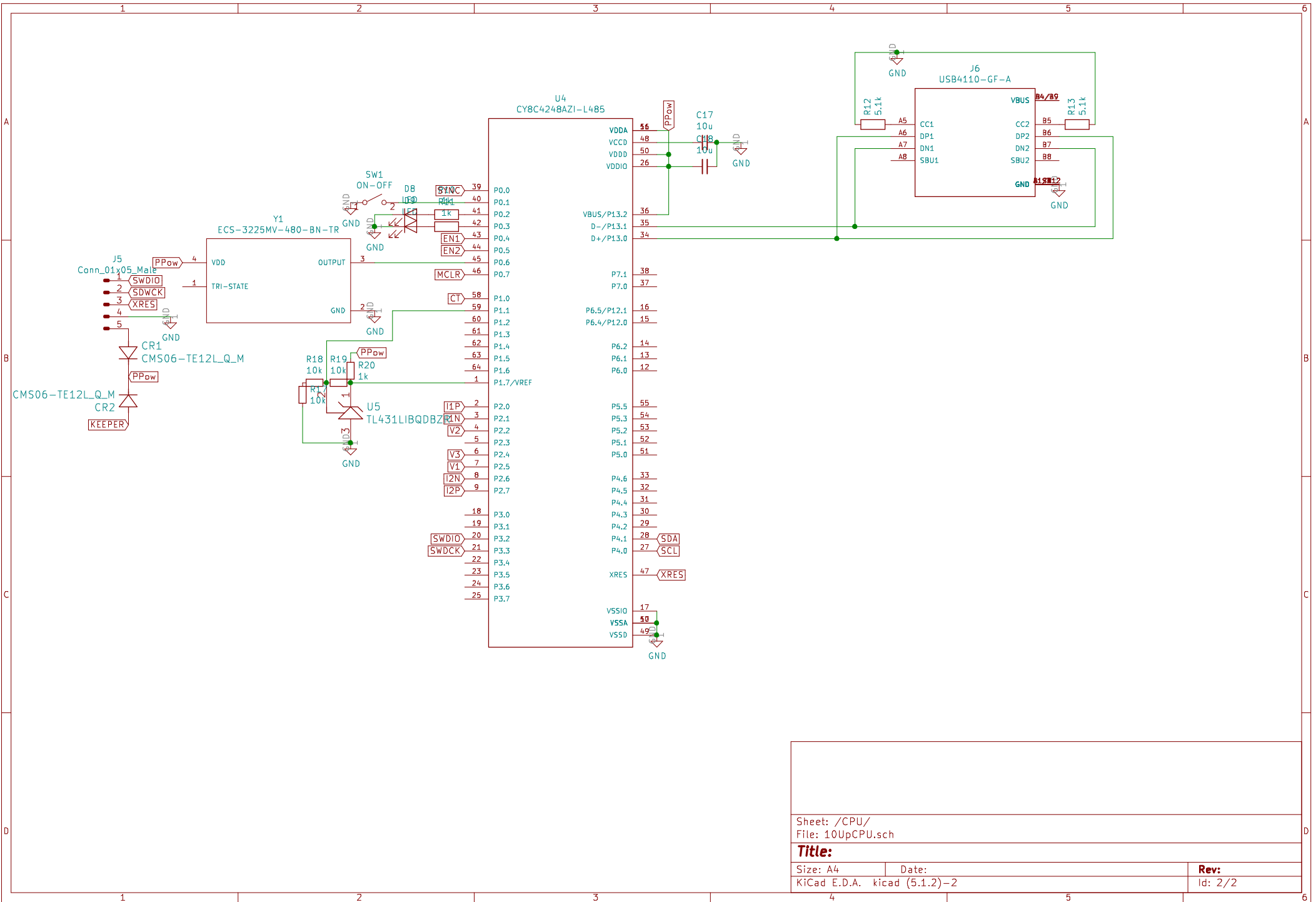


Sheet: /		Date:	
File: 10UPS.sch		Rev:	
<b>Title:</b>		Id: 1/2	
Size: A4	KiCad E.D.A. kicad (5.1.2)-2		



Sheet: /CPU/		Date:	
File: 10UpCPU.sch		Rev:	
Size: A4	KiCad E.D.A. kicad (5.1.2)-2		Id: 2/2